

BEST AVAILABLE COPY

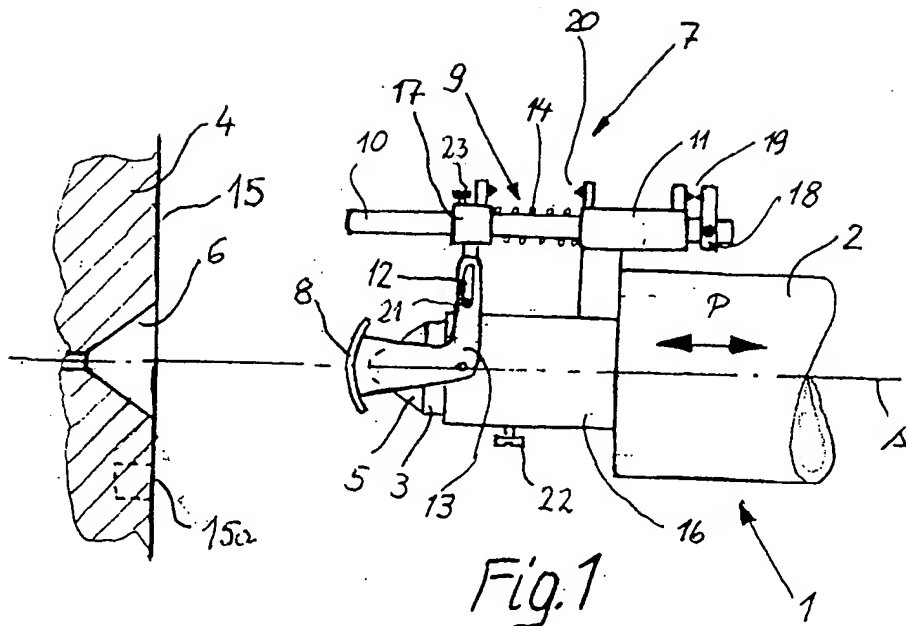


Fig. 1

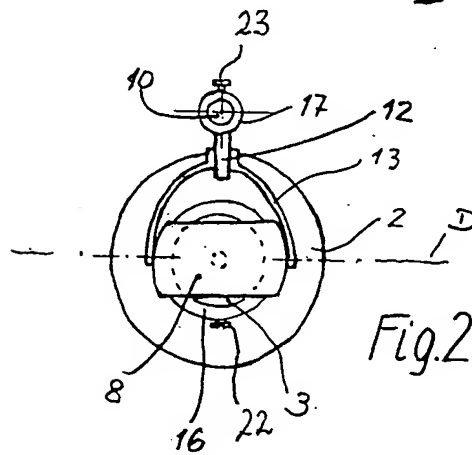


Fig. 2

Fig 3

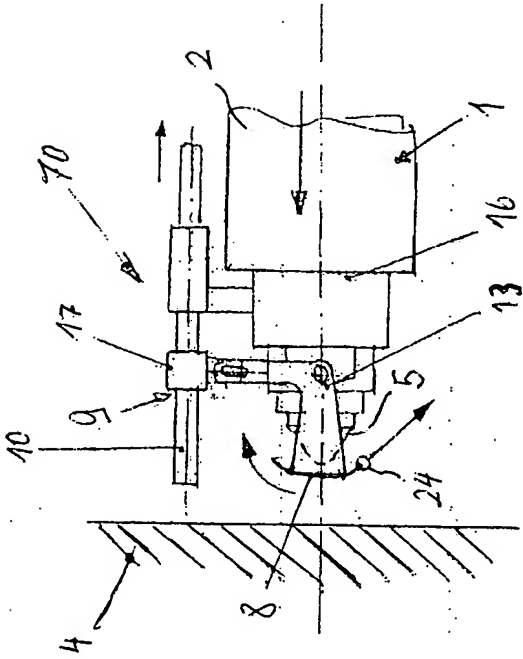


Fig 4

